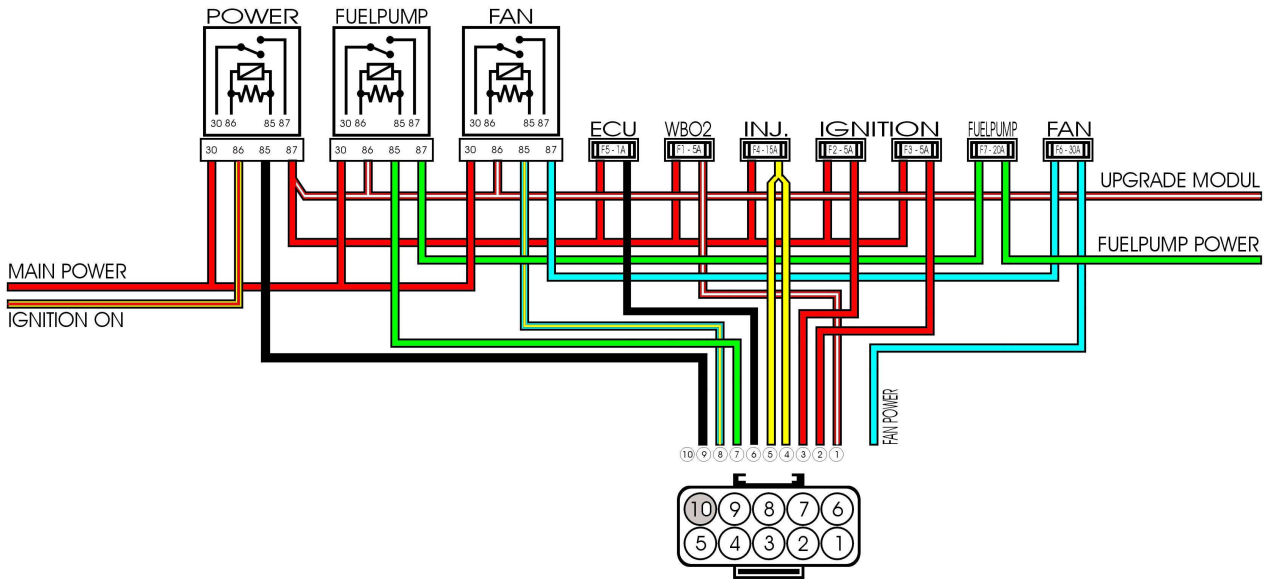


Relays (C2015 version)

for <http://shop.vems.hu> v3harness, v3TwinShieldHarness, PTFE Harness(R/L).

EC10pinout compatible (also with previous versions)



Colors might differ.

Watch topology. Start from EC10 conn (viewed: looking into female = backside of male).

Some wires allow upgrade. Insulate these if unused. Take notes during install.

WBO2 fuse EC10/1	IGN fuse EC10/2 or /3	IGN fuse EC10/3 or /2	INJ fuse EC10/4-5	ECU fuse EC10/6	FUEL-pump fuse	FAN fuse		
<p>POWER relay switched by +12V ignition wire (Y/R). Disables ECU/WBO2/INJ/IGN directly and coils of other relays (=> those circuits indirectly)</p>			<p>FAN relay activated by switching EC10/pin8 (L/Y to ground)</p>			<p>FUEL-pump relay activated by switching EC10/pin7 (Green to ground)</p>		

----- Cut here to place duplicate near the relays (keep base docs in protecting bag) -----

WBO2 fuse EC10/1	IGN fuse EC10/2 or /3	IGN fuse EC10/3 or /2	INJ fuse EC10/4-5	ECU fuse EC10/6	FUEL-pump fuse	FAN fuse		
<p>POWER relay switched by +12V ignition wire (Y/R). Disables ECU/WBO2/INJ/IGN directly and coils of other relays (=> those circuits indirectly)</p>			<p>FAN relay activated by switching EC10/pin8 (L/Y to ground)</p>			<p>FUEL-pump relay activated by switching EC10/pin7 (Green to ground)</p>		

Some printable doc / pdf-s can be found from the <http://shop.vems.hu> product page, and:

- <http://vems.hu/download/harness/v3TwinShieldHarness/>
- <http://vems.hu/download/harness/>
- <http://vems.hu/download/>