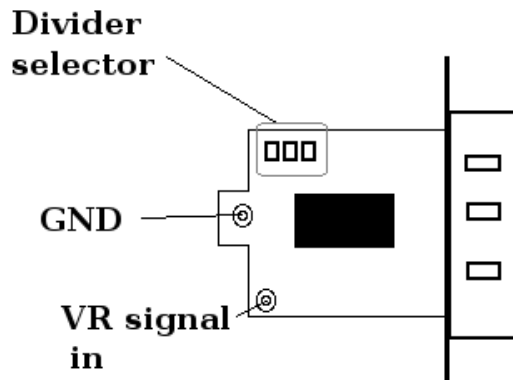


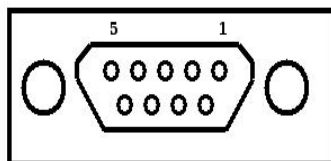
# VEMS VR to HALL converter and divider Model: LM1815.4024



## Divider selector:

- ■ □ Div by 4
- ■ ■ Div by 8 (Default, unless requested otherwise)

**VR signal input:** LM1815 circuit triggers at the negative-going zero-crossing of VR signal.



- 1:+5V
- 3:GND (Divider Reset)
- 4:Output
- 5:GND

Dsub 9 feemale  
(front view)

**Output:** (Dsub9 pin4) 0/5V (logiclevel, HALL-type) divided output: lower frequency signal (for ECU wheel-speed input).

**Divider Reset:** (Dsub9 pin3) connect to GND. Power-users who know what they are doing can connect to 0/5V signal (the counter output stays 0 while reset input is high)

(See LM1815 Datasheet for VR input adaptive hysteresis details.)